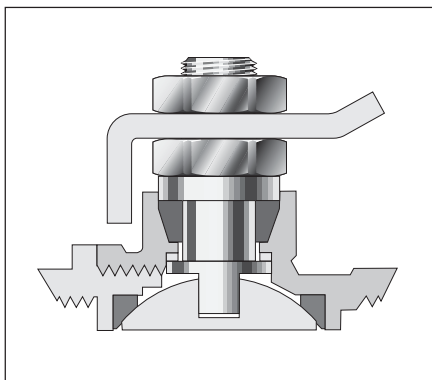


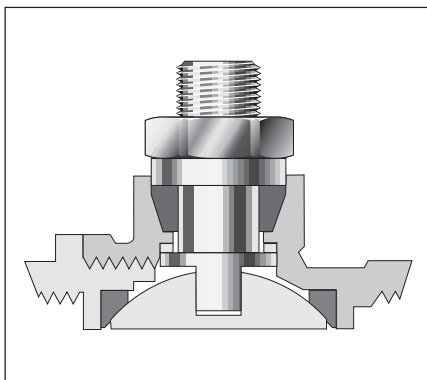
Advantages



Adjustable packing

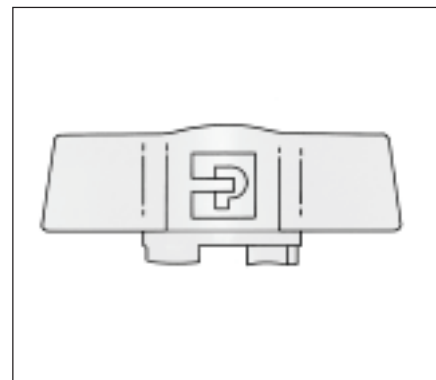
The PTFE packing gland and adjustable washer are designed to give longer service life and lower operating torques.

See instruction 3529-F/GB/D contained in each box.



Anti extrusion stem

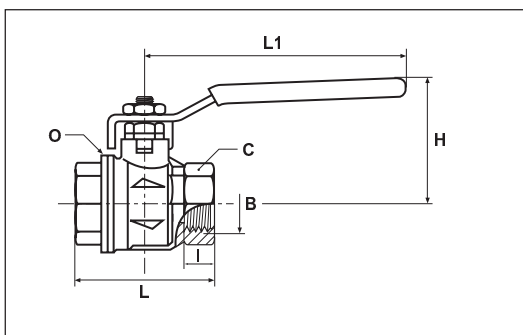
The BVGC series ball valves are fitted with an anti-extrusion stem to prevent blow out in the case of pressure peaks.



Compact handle

For applications where space is at a premium, the BVGC series valve is available with a compact handle for sizes up to 1".

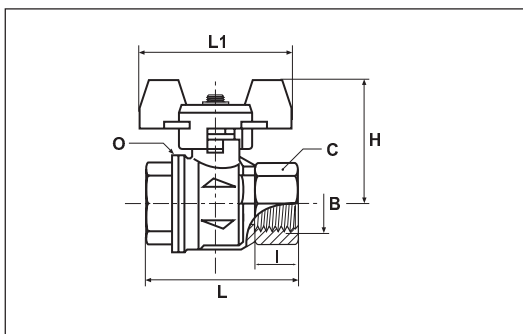
BVGC - BSPP female / female valve with lever handle



DN mm	B	Part number	C	H	L	L1	O	I	Weight g.
8	1/4	BVG4-1/4C	20	39.5	39	82	25.0	9	130
10	3/8	BVG4-3/8C	20	39.5	39	82	25.0	9	120
15	1/2	BVG4-1/2C	25	44.0	50	100	32.5	11	200
20	3/4	BVG4-3/4C	31	50.0	54	120	39.0	12	312
25	1	BVG4-1C	38	54.0	67	120	47.5	14	440
32	1.1/4	BVG4-1.1/4C	48	76.5	77	158	59.0	15	730
40	1.1/2	BVG4-1.1/2C	54	82.5	90	158	71.5	17	972
50	2	BVG4-2C	66	89.5	106	158	86.0	19	1500

This series is also available with red handle.-To order, add R to the part number, eg. **BVG4-1/4CR**.

BVGT4 - BSPP female / female valve with compact handle



DN mm	B	Part number	C	H	L	L1	O	I	Weight g.
8	1/4	BVGT4-1/4C	20	40	39	50	25.0	9	130
10	3/8	BVGT4-3/8C	20	40	39	50	25.0	9	120
15	1/2	BVGT4-1/2C	25	44	50	50	32.5	11	180
20	3/4	BVGT4-3/4C	31	49	54	60	39.0	12	265
25	1	BVGT4-1C	38	53	67	60	47.5	14	390

For product availability please consult our price list 0093-UK.
Dimensions shown may be changed at any time without prior notice.