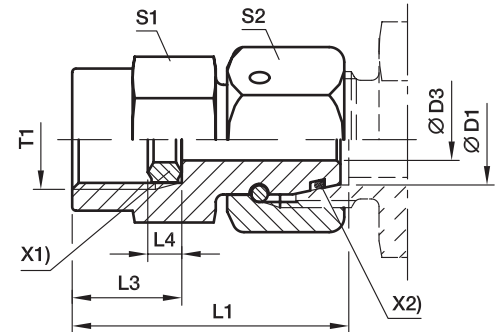


## MAVE Pressure gauge swivel connector

Female BSPP thread / EO 24° DKO swivel



X1) Sealing-ring DKO  
X2) O-ring OR

Series	D1 	T1	D3	L1	L3	L4	S1	S2	Weight g/1 piece	Order code*	PN (bar) <sup>1)</sup>	
											CF	71
L <sup>3)</sup>	06	G 1/4	2.5	35.5	14.5	4.5	19	14	46	<b>MAVE06LR</b>	500	315
	08	G 1/4	4.0	35.5	14.5	4.5	19	17	52	<b>MAVE08LR</b>	500	315
	10	G 1/4	5.5	36.0	14.5	4.5	19	19	59	<b>MAVE10LR</b>	500	315
	12	G 1/4	5.5	36.0	14.5	4.5	19	22	70	<b>MAVE12LR</b>	400	315
S <sup>4)</sup>	06	G 1/2	2.5	42.5	20.0	5.0	27	17	95	<b>MAVE06SR</b>	630	630
	06	G 1/4	2.5	35.5	14.5	4.5	19	17	52	<b>MAVE06SR1/4</b>	630	630
	08	G 1/2	4.0	43.0	20.0	5.0	27	19	100	<b>MAVE08SR</b>	630	630
	08	G 1/4	4.0	35.5	14.5	4.5	19	19	58	<b>MAVE08SR1/4</b>	630	630
	10	G 1/2	6.0	43.5	20.0	5.0	27	22	109	<b>MAVE10SR</b>	630	630
	10	G 1/4	7.0	39.0	14.5	4.5	19	22	67	<b>MAVE10SR1/4</b>	630	630
	12	G 1/2	7.0	45.0	20.0	5.0	27	24	125	<b>MAVE12SR</b>	630	630
	12	G 1/4	7.0	39.0	14.5	4.5	19	24	83	<b>MAVE12SR1/4</b>	630	630

<sup>1)</sup> Pressure shown = item deliverable

<sup>3)</sup> L = light series; <sup>4)</sup> S = heavy series

$$\frac{\text{PN (bar)}}{10} = \text{PN (MPa)}$$

Information on ordering alternative sealing materials see page 17.

\*Please add the **suffixes** below according to the material/surface required.

Order code suffixes			
Material	Suffix surface and material	Example	Standard sealing material (no additional suffix needed)
Steel, zinc plated, Cr(VI)-free	CF	MAVE10SRCF	NBR
Stainless Steel	71	MAVE10SR71	VIT